

**50kN Flexural Testing Machine  
AG620**

Impact Test Equipment Ltd  
[www.impact-test.co.uk](http://www.impact-test.co.uk) & [www.impact-test.com](http://www.impact-test.com)

User Guide  
**User Guide**  
**User Guide**

**Impact Test Equipment Ltd.  
Building 21 Stevenston Ind. Est.  
Stevenston  
Ayrshire  
KA20 3LR**

T: 01294 602626

F: 01294 461168

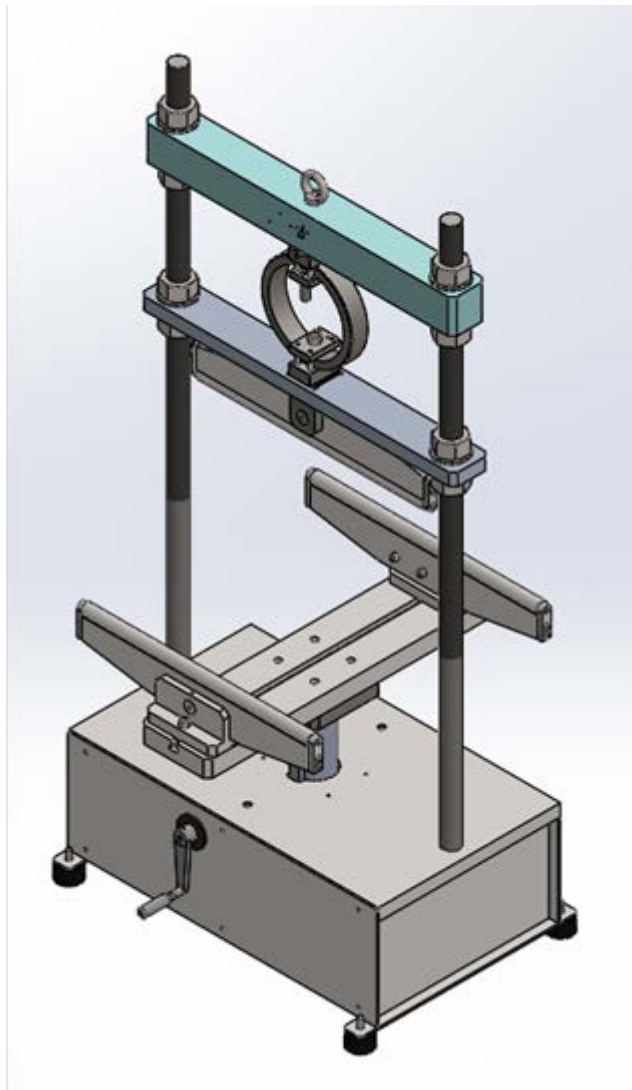
E: [sales@impact-test.co.uk](mailto:sales@impact-test.co.uk)

Test Equipment Web Site  
[www.impact-test.co.uk](http://www.impact-test.co.uk)

Test Sieves & Accessories Web Site  
[www.impact-test.com](http://www.impact-test.com)

**50kN capacity Flexural testing machine, designed to test:**

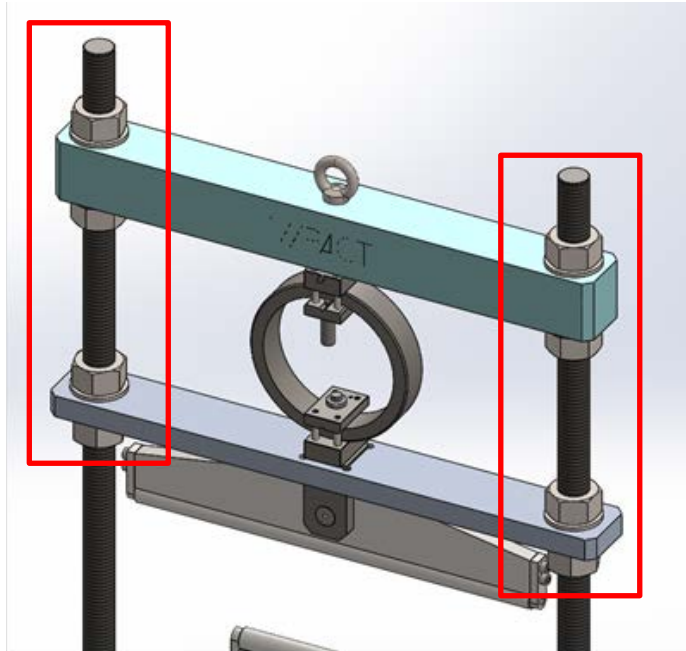
- CONCRETE TILES: EN 491
- CLAY TILES: EN 538
- FLAT BLOCKS: BS 6073:1 APP. C.
- HOLLOW TILES: UNI 2107
- CLAY FLOORING BLOCKS: UNI 9730-3
- PAVING SLABS, ROOF TILES, FLOOR TILES, TERRAZZO TILES,
- CERAMICS, BRICKS, ETC



The machine consists of a steel frame, one upper bearer and two lower adjustable bearers and a mechanical hand-operated screw jack.

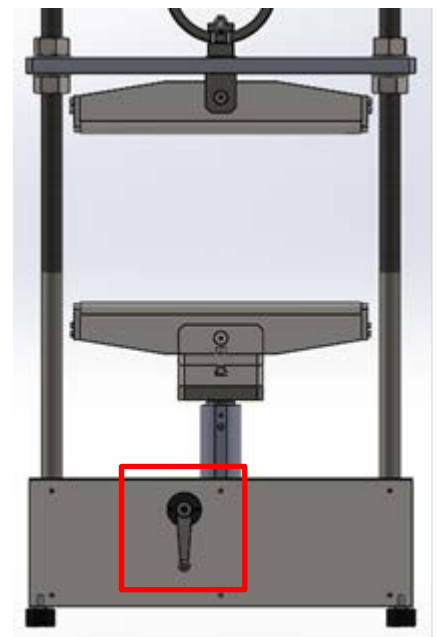
**Use**

1. Adjust the distance between the lower bearers according to the sample size. The maximum available distance between the two bearers is 500mm and the minimum is 50mm.
2. Place the sample in the machine between the upper and lower bearers.
3. Adjust the height of the upper bearer by adjusting the nuts as shown in fig 1.



**Fig 1**

4. Move the mechanical hand-operated screw jack in a clockwise direction to apply the load, as shown in fig 2. The maximum stroke is 50mm.
5. Read the applied/real time load from the load ring.
6. After breaking the sample, the user may rotate the mechanical hand-operated screw jack in an anticlockwise direction to lower the jack and remove the sample.



**Fig 2**