

**Sound Proof Cabinet
AG173**

Impact Test Equipment Ltd
www.impact-test.co.uk & www.impact-test.com

User Guide
User Guide
User Guide

**Impact Test Equipment Ltd.
Building 21 Stevenston Ind. Est.
Stevenston
Ayrshire
KA20 3LR**

T: 01294 602626

F: 01294 461168

E: sales@impact-test.co.uk

Test Equipment Web Site

www.impact-test.co.uk

Test Sieves & Accessories Web Site

www.impact-test.com

Please read the following steps in order to unpackage and assemble :



The equipment is provided packed on a pallet. Use suitable equipment to move it near the place where it will be used.



Hole for rope lifting

Only lift the steel safety cabinet, using the handles located on the top of the frame. Lift with a hook and appropriate ropes. Be careful of the safety cabinet bulk during lifting procedure.

Then place it on the ground near the machine.

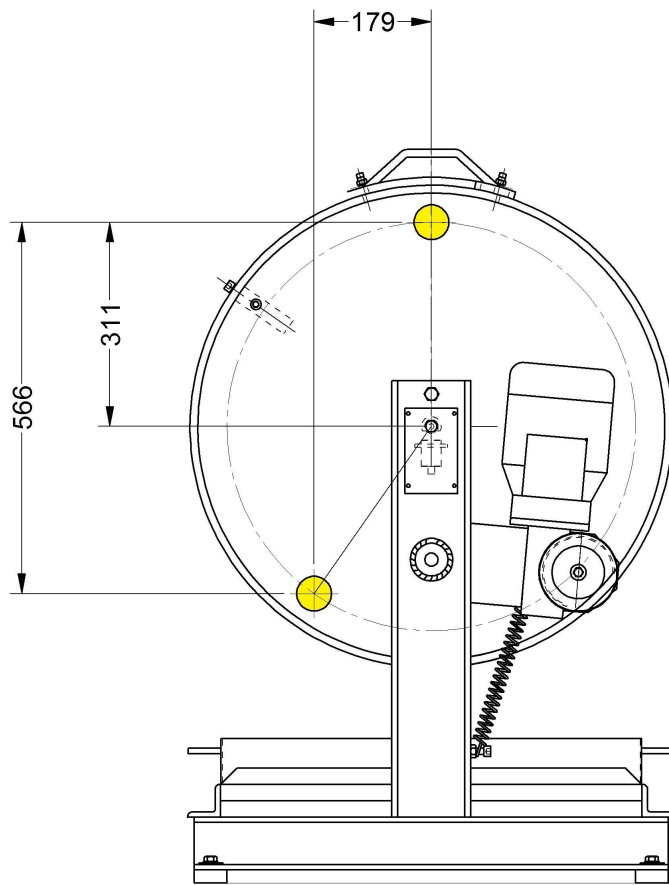


Use these handle to lift

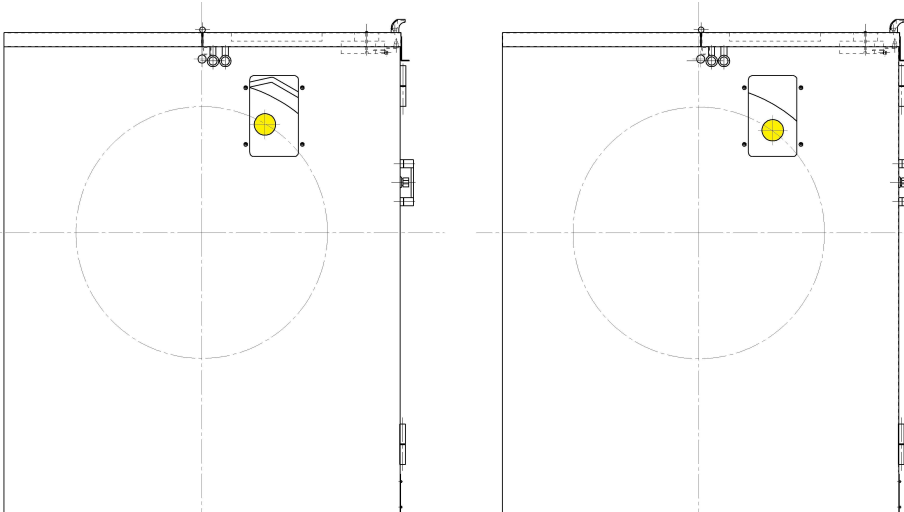


Place the fork here using a forklift

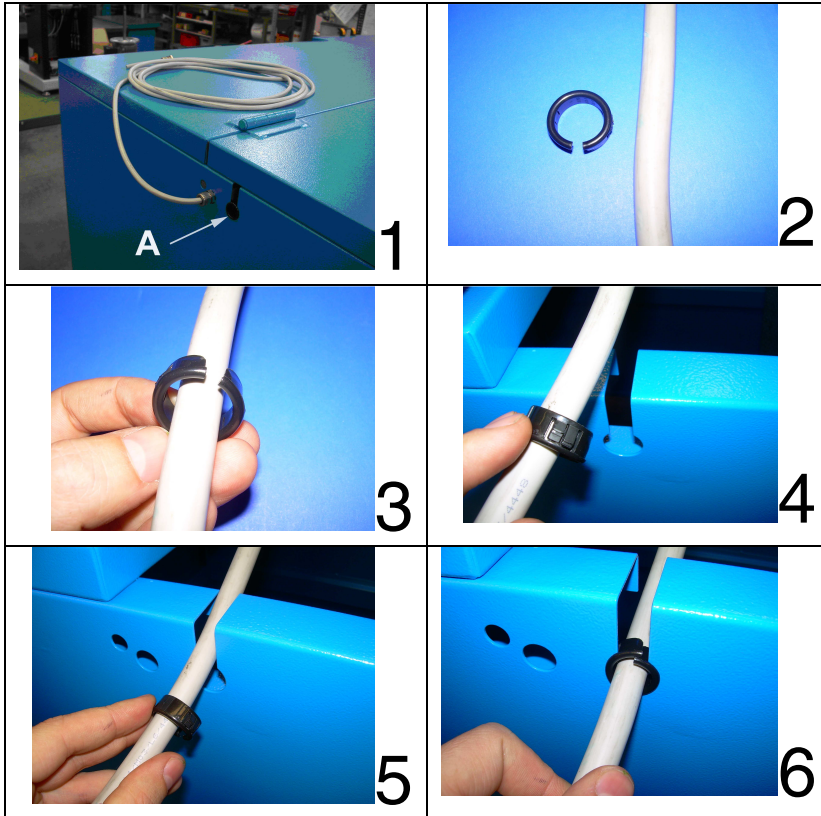
Lift the machine up by the handles located on the top of the frame or by passing the forks of the forklift under the frame. Place it where it will be used.



Placement of reflective stickers, supplied to the guards, on the machine.



From the side window of the guards you will be able to recognise when the cylinder is in loading position (in addition to the reflective striker will also see the handle of cover) or material unloading position.



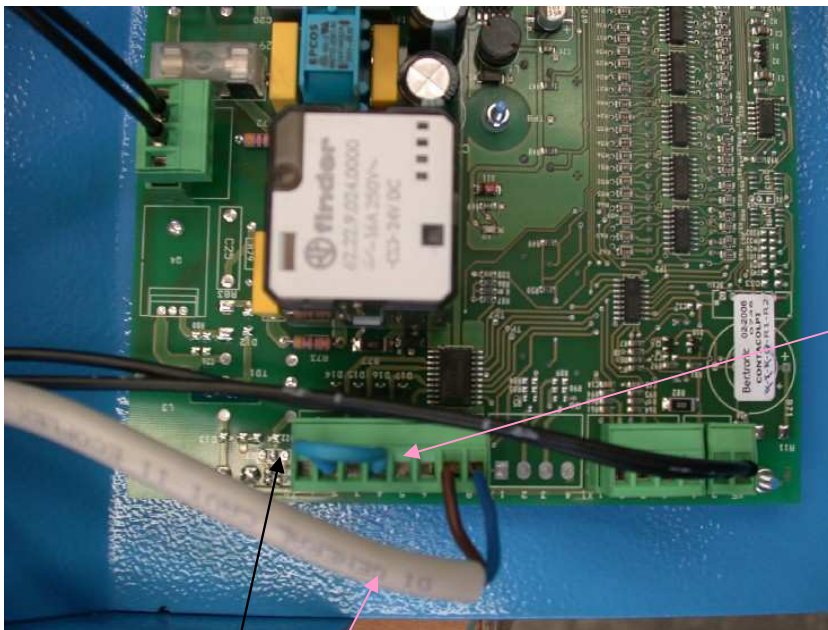
Remove the ring (A) from the control panel and place it on the cable from the control panel. Place the ring on the cable, complete with the inserted cable.

Do not leave a long length of cable inside the safety cabinet because it may tangle in the rotating device and be torn. We suggest leaving the cable a little bit longer in order to let it follow the movements of the motor, without tearing it.



Cable tie

Lift the Los Angeles machine from the pallet using the handles shown in picture or use a forklift to move the frame. Then place it slowly on the ground, on the final destination.



Fairlead to leave Cable coming from the safety micro switch

Remove the fairlead and wire the cable coming from the safety micro switch, as shown picture

WATCH OUT to leave the fairlead on the right side

Now, close the control panel